

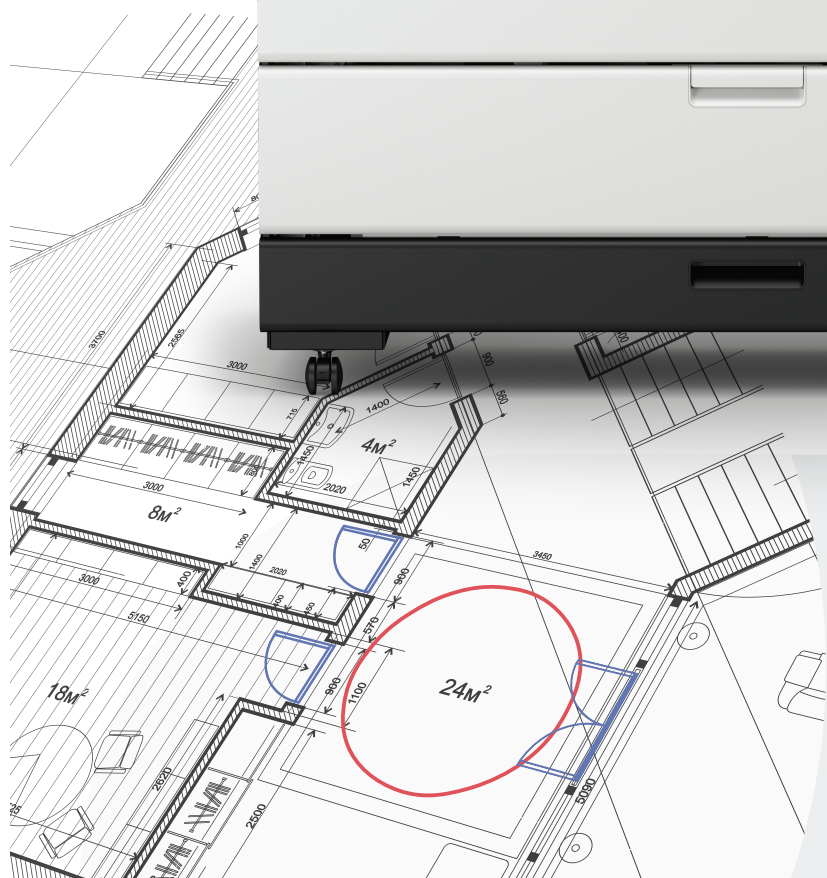
Canon

The Fastest imagePROGRAF. Ever.

Up to 4 D Prints/Minute*
Up to 244 D Prints/Hour**

Integrated 100-Print
Capacity Top Stacker

Dual-Roll Intelligent Media-Handling System
that Detects Media Type, Width, and Length



imagePROGRAF
TZ Series

Get the best of both worlds with the new Canon imagePROGRAF TZ Series of large-format printers.

Built with production, efficiency, and versatility in mind, the imagePROGRAF TZ large-format printer is a new hybrid solution! It's uniquely qualified to seize and expand the production aqueous inkjet market with its ability to print black-and-white line drawings and full-color posters on multiple media substrates. The advanced features of the imagePROGRAF TZ large-format printers include:

- **Twin Carriage Motors** for maximum productivity
- **Dual-Roll Media System** that offers automatic media-switching capabilities for enhanced operation
- **Top Output Stacker** for easy handling of documents from the front of the printer
- **LUCIA TD 5-Color Pigment Ink System** that produces detailed lines and sharp text



DOCUMENT MANAGEMENT SOLUTIONS

Printing to your large-format printer shouldn't be a hassle. Streamline your printing workflow with Canon's free available software:

• DIRECT PRINT PLUS

In as little as one step, simply drag and drop files for on-demand printing. High-speed file processing, batch printing, and the ability to monitor the status of more than one device are just some of the key advantages of Canon's Direct Print Plus software.

• CPP PUBLISHER SELECT

This job submission software gives you the ability to manage printer status and ink and media levels. You can also receive operator warnings when ink is low or the media roll is empty. Additional functionality includes:

- Dual printer support
- Preset creation for frequently used job settings
- Access to all printing features on one screen

• PRINTER DRIVERS

Choose either the Canon Printer Driver or CPP Driver Select. CPP Driver Select offers you the flexibility to print to imagePROGRAF TZ, PlotWave, and ColorWave models for multiple fleet management.

Up to
14
Seconds
for a
D Print*

Up to
4
D Prints
per minute*

Up to
244
D Prints
per hour**

Print with more confidence knowing Canon's advanced security features and technology are on the job.



STORAGE

The hard drive is self-encrypting with AES 256 technology and multiple levels of file and data erasure. Completely erase all files at the touch of a button.



INTERFACE

Ability to disable:

- USB Direct Thumb Drive
- USB Port
- Ethernet Port



COMMUNICATIONS

IPSec, 802.1x compatible and TLS-enabled/disabled encryption capability.



MANAGEMENT

PIN Printing—Set a numerical passcode in the printer driver and input that same passcode in the control panel of the printer to help ensure that only you have access to your printouts.

The **Top Output Stacker** allows for up to 100 ARCH E sheets to be stacked facedown for confidentiality. The stacker features Canon's advanced air flow system, which reduces paper jams and keeps prints neatly aligned.

For continuous production printing, the imagePROGRAF TZ Series lets you load a second roll of media while the other roll is printing. Additionally, **Hot Swap Ink Tanks** allow you to change ink while printing, without damaging or stopping the print—Virtually no downtime! **These are the only printers in the industry that can do this!**

The **Intelligent Media Handling** feature allows the user to simply place a roll in the opened drawer and slide in the media from the front of the printer with ease. The printer automatically detects media type, width, and length, for simplified user handling.

The imagePROGRAF TZ ships standard with a **Dual Roll** for maximum productivity. Load up to two (2) rolls of 36" paper or mix-and-match paper types and sizes.

The **MFP System Controller** has an all-new intuitive GUI design for simplified printer management. Complete with a new processor, scanner functionality has never been easier and faster in an imagePROGRAF MFP.

Equipped with the new, lightweight **Z36 Scanner**, you can scan monochrome drawings at up to 13"/second and color drawings at up to 6"/second.

4.3" **Touchscreen Control Panel** for quick and simple access to printer controls.

Integrated MFP design for easy office placement.

The **Roll Paper Indicator** takes the guesswork out of determining how much paper is left in the printer. The LED lights display four (4) different media levels, letting you know when paper is running low.



TZ-30000 MFP Z36 model shown.

* 14 seconds for an ANSI D print and 4 ANSI D prints/minute speed measured after first print in Fast Q5 mode, using plain paper.
** All speeds measured using plain paper, Fast Q5 mode. The 244 ANSI D prints/hour is measured from when the first print begins printing.

PRINTER SPECIFICATIONS

Print Head

PF-06

Number of Nozzles

Matte Black: 5,120 Nozzles
Other Colors: 2,560 Nozzles/Color

Droplet Size

5 Picoliter

Ink Type

Pigment: Matte Black (MBK), Cyan (C), Magenta (M), Yellow (Y), Black (BK)

Printer RAM

128 GB (2 GB Physical Memory)

Hard Drive

500 GB (Encrypted)

Media Feed

Roll Feed: Two Rolls, Front Loading
Cut Sheet: Front Loading

Media Width

Roll Feed: 8" - 36" (203 mm - 914 mm)
Cut Sheet: 8" - 36" (203 mm - 914 mm)

Media Cutter

Durable Dual-Blade Rotary Cutter

Media Thickness

0.07 mm - 0.8 mm

Media Core Sizes

2" and 3" Core Adapters Included

Maximum Roll Outer Diameter

6.9" or Less

Media Output

Front Output: Basket
Top Output: Top Delivery Tray

Printing Software Utilities

Accounting Manager, Canon Print Service, Device Management Console, Direct Print Plus, Free Layout Plus, Media Configuration Tool, PosterArtist Lite for Windows, PosterArtist (optional purchase), CPP Publisher Select, Canon Printer Driver, CPP Driver Select, Optimized Driver for AutoCAD, Printer Driver Extra Kit

Operating System

Windows® 7 (32/64-bit), Windows 8.1 (32/64-bit), Windows 10 (32/64-bit), Windows Server 2008 R2, (32/64 bit), Windows Server 2012 (64-bit), Windows Server 2016 (64-bit), Macintosh® OS X v10.10.5 - v10.12x

Power Supply

AC 100 - 240V (50 - 60 Hz)

Power Consumption

Maximum: 68 W or Less
Standby: 3.6 W or Less
Power Off: 0.3 W or Less (Executive Order Compliant)

Certifications

International ENERGY STAR® Program (WWW), TUV, CB, EPEAT

Operational Environment

Temperature: 59° F - 86° F (15°C - 30° C)
Relative Humidity: 10 - 80% (No Condensation)

Interface

USB B Port

Type: Built-in (Hi-speed USB)
Mode: Full Speed (12-Mbit/sec.), High Speed (480-Mbit/sec.), Bulk Transfer
Connector Type: Series B (4 Pins)

USB A Port: USB Memory (Direct Print)

Gigabit Ethernet

Type: Built-in
Standard: IEEE 802.3u 100Base-TX/Auto-Negotiation
IEEE 802.3ab 1000Base-T/Auto-Negotiation
IEEE 802.3x Full Duplex
Protocol: SNMP, HTTP, TCP/IP (IPv4/IPv6), FTP

Wireless LAN™

Standard: IEEE802.11n/IEEE802.11g/IEEE802.11b
Security: WEP (64/128-bit)
WPA-PSK (TKIP/AES)
WPA2-PSK (TKIP/AES)

Printer Dimensions (H x W x D) and Weight

TZ-30000: 47" x 61" x 38"; 456 lb. (Approx.)
TZ-30000 MFP Z36: 51" x 63" x 38"; 478 lb. (Approx.)

Package Dimensions (H x W x D) and Weight

TZ-30000: 54" x 67" x 37"; 604 lb. (Approx.)
Z36 Scanner: 45" x 17" x 15"; 46 lb. (Approx.)

Options

2"/3" Roll Holder Set (RH2-34)

PosterArtist

User-Replaceable Items

- Ink Tank (PFI-340/PFI-740)
- Print Head (PF-06)
- Maintenance Cartridge (MC-30)

What's In The Box

Printer, Top Output Stacker, Basket, 2"/3" Core Media Spool (Adapters Included), Power Cord, Tools and Screws, Print Head, Maintenance Cartridge (Installed), 5 Ink Tanks (330 ml MBK, 160 ml: BK/C/M/Y), Ethernet Card (built-in), USB 2.0 High-speed Interface, USB Connection Sheet, iWR Service Terms Leaflet, User Manual, Quick Setup Guide, User Software CD for Windows (Printer Drive Utilities), PosterArtist Lite CD, User Registration Card, Warranty Statement

Z36 SCANNER

Scan Speed[■]

- 24-bit Color @ 200 dpi: 3" (Per Second)
- 8-bit Grayscale and Monochrome @ 200 dpi: 13" (Per Second)

Copy Speed

24-bit Color @ 200 dpi: 6" (Per Second)

Scan Modes

- 16.7 Million Color RGB (24-bit)
- 256-level Grayscale (8-bit)
- Black and White (1-bit)

Color Space

sRGB

Maximum Resolution

1200 dpi (Optical)

Scan Accuracy[▲]

+/- 0.1% : +/- 1 pixel

Maximum Scan Width

36"

Maximum Media Width

38"

Maximum Scan Length

315" (JPEG/PDF); 598" (TIFF)

Maximum Media Thickness

0.003" - 0.04" (0.07 mm - 1.0 mm)

Digital Imaging Technology

Contact Image Sensor (CIS) Technology (SingleSensor Assembly)

Included Software

SmartWorks MFP Scan-to-Copy/File/Email with Real-time Image Viewer; Supports TIFF, JPEG, TIFF G4, and PDF

Operating System

Windows 10 LTSC

Scanner Interface Kit

Superspeed USB 3.0 (PC Connector Compatible with USB 2.0 and USB 3.0 Sockets)

Operating Environment

10° C - 35° C, 35 - 80% RH, Non-condensing

External Power Supply

100 - 240 VAC Autosensing +/- 10%, 50 - 60 Hz

Scanner Power Consumption

Sleep: 0.2 W
Idle: 12.4 W
Scanning Color/Grayscale @ 200 dpi: 22.7 W/23.3 W

Compliance

ENERGY STAR®, CB(62368-1), CE, FCC (EMC), CuI/UL, CCC, NOM-019, EAC, C-TICK, VCCI, BIS, EMC +LOA, UL AR, WEEE, REACH, RoHS, EU — Tier 3 of Lot 6

Scanner Dimensions (H x W x D)

6.1" x 41.6" x 9.9"

Scanner Weight

17.3 lb. (Approx.)

What's In The Box?

- Z36 Scanner with Power Cord, USB 3.0 Cable (2 m)
- 15.6" System Controller
- 3:1 Trident Power Cord
- Power Supply
- Mount for Printer and System Controller
- (2) Paper Edge Guides
- (3) Document Return Guides
- Calibration Target
- Assembly and Startup Guide

■ Wireless printing requires a working network with wireless 802.11b/g or 802.11n capability. Wireless performance may vary based on terrain and distance between the printer and wireless network clients.

■ The scan rate is proportional across the full range of resolutions supported by the scanner. Actual scan times will depend on the host system performance. Quoted top speeds may be limited by the effective bandwidth of the USB 2 and is not guaranteed for all media types.

▲ The quoted scan accuracy may vary depending on the operating environment and the thickness of the media.

Note: Model shown on cover is the TZ-30000 MFP Z36. The imagePROGRAF TZ MFP Z36 system contains multiple components, some of which are manufactured by third parties. To the extent that such third-party offerings come with limited warranties, those such limited warranties are hereby passed to the purchaser, and Canon shall have no obligation.

usa.canon.com/imagePROGRAF



Canon and imagePROGRAF are registered trademarks of Canon Inc. in the United States and may also be registered trademarks or trademarks in other countries. All other referenced product names and marks are trademarks of their respective owners. All printer output and screen images are simulated. Specifications and availability subject to change without notice. Not responsible for typographical errors.

©2021 Canon U.S.A., Inc. All rights reserved.
0321-TZ-PDF-CM

